

Durable Lighting Made for Industrial Safety



Hazardous Location LED Luminaire A Series (Zone 2, 21, 22)

Specsheet-2023-07 EN

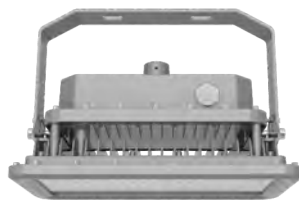
VENAS
Venas International Co., Ltd



A2



A



A3



A4



Product Description

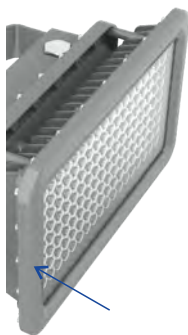
The A Series LED luminaire is the ideal choice for marine and hazardous applications. They can be used in locations where moisture, dirt, dust, corrosion and vibration may be present, or areas where wind, water, snow or high ambient can be expected.

Features

- 0-10V dimming
- High luminous efficacy - Up to 140 lumens per watt
- Battery backup function available
- Compact and robust structure, excellent reliability
- Various installation ways for different applications
- Great impact resistance with IK08/IK10 certified
- Copper-free aluminum housing, great corrosion resistance and cooling performance
- Emergency function optional for A, A3, and A4

Three Shapes Optional

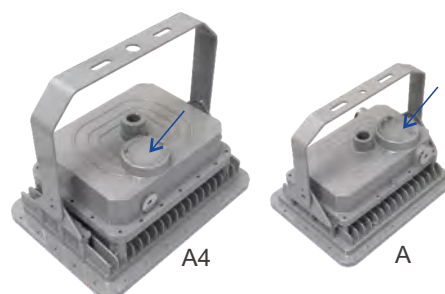
- Shape 1: Surface Cover without Step (Standard)



- Shape 2: Surface Cover with Step (Optional)*



- Shape 3: Back Side with Round Cover (Optional)*



* For optional shapes, please contact our sales representative for detailed information.

Compliance

ATEX Standard:

⊕ II 3G Ex ec IIC T6...T3 Gc

⊕ II 2D Ex tb IIIC T85°C...T103°C Db

IECEX Standard:

Ex ec IIC T6...T3 Gc

Ex tb IIIC T85°C...T100°C Db

Zone 2, Zone 21&22

CB (Ref. Certif. No.: DE 2-038462-M1)

IP66/IP67

IK08 (glass cover)

IK10 (with wire guard)

1000 hours salt spray

5G vibration



Application

- Power Plants
- Heavy Industrials Storage Facility
- Paper mills
- Wastewater Treatment Plants
- Loading Docks Platforms
- Offshore Environments
- Chemical Processing Facility
- Petrochemical Processing Facility
- Metallurgical Industry
- Coal Mine
- Food and Alcohol industry

Warranty

5-Year Standard Warranty

LED lumen Maintenance: L70> 150,000 Operation Hours@55°C

Technical Parameter

• Electrical

Specification	Ex-20WA2N**D**	Ex-40WA2N**D**	Ex-60WA2N**D**
Rated Power	20W	40W	60W
Input Voltage	100-277VAC		
Input Frequency	50/60Hz		
Power Factor	> 0.95		
Emergency Function	No emergency function		

• Optical

Specification	Ex-20WA2N**D**	Ex-40WA2N**D**	Ex-60WA2N**D**
Lumen Output	2800lm	5,600lm	8,400lm
Lumens Per Watt	140lm/W		
CCT	3000K-6500K		
CRI	> 70		
Beam Angle	40°/60°/90°/120°		
Dimming	Both non-dimmable and 0-10V dimming are available		

• Environmental

Specification	Ex-20WA2N**D**	Ex-40WA2N**D**	Ex-60WA2N**D**
Ambient Operating Temperature	T3: -40°C to +55°C (-40°F to +131°F)		

• Mechanical

Specification	Ex-20WA2N**D**	Ex-40WA2N**D**	Ex-60WA2N**D**
Housing Material	Copper-free aluminum		
Fixture Color	Gray RAL7040 (Standard)		
Lens	Tempered glass & PC		
Hardware	Stainless steel		
Protection	IP66/IP67/IK08 (glass cover)/IK10 (with wire guard)		
Mounting	Ceiling, Wall, Hook, Pole, Arm, Stanchion		
Cable Entries*	Side: 3/4 NPT, M20, M25, 1/2NPT Top: 3/4 NPT, M25		

*Cable Entries: For side and top, 3/4 NPT is standard. If others are required, customer needs to indicate when placing an order.

Technical Parameter

• Electrical

Specification	Ex-80WAN**D**	Ex-100WAN**D**
Rated Power	80W	100W
Input Voltage	100-277VAC	
Input Frequency	50/60Hz	
Power Factor	> 0.95	
Emergency Function	Optional (Billard)	

• Optical

Specification	Ex-80WAN**D**	Ex-100WAN**D**
Lumen Output	11200lm	14000lm
Lumens Per Watt	140lm/W	
CCT	3000K-6500K	
CRI	> 70	
Beam Angle	40°/60°/90°/120°	
Dimming	Both non-dimmable and 0-10V dimming are available	

• Environmental

Specification	Ex-80WAN**D**	Ex-100WAN**D**
Ambient Operating Temperature	T3: -40°C to +55°C (-40°F to +131°F)	

• Mechanical

Specification	Ex-80WAN**D**	Ex-100WAN**D**
Housing Material	Copper-free aluminum	
Fixture Color	Gray RAL7040 (Standard)	
Lens	Tempered glass & PC	
Hardware	Stainless steel	
Protection	IP66/IP67/IK08 (glass cover)/IK10 (with wire guard)	
Mounting	Ceiling, Wall, Hook, Pole, Arm, Stanchion	
Cable Entries*	Side: 3/4 NPT, M20, M25, 1/2NPT Top: 3/4 NPT, M25	

*Cable Entries: For side and top, 3/4 NPT is standard. If others are required, customer needs to indicate when placing an order.

Technical Parameter

• Electrical

Specification	Ex-150WA3N**D**	Ex-180WA3N**D**	Ex-200WA3N**D**
Rated Power	150W	200W	80W
Input Voltage	100-277VAC		
Input Frequency	50/60Hz		
Power Factor	> 0.95		
Emergency Function	Optional		

• Optical

Specification	Ex-150WA3N**D**	Ex-180WA3N**D**	Ex-200WA3N**D**
Lumen Output	21000lm	28000lm	11200lm
Lumens Per Watt	140lm/W		
CCT	3000K-6500K		
CRI	> 70		
Beam Angle	40°/60°/90°/120°		
Dimming	Both non-dimmable and 0-10V dimming are available		

• Environmental

Specification	Ex-150WA3N**D**	Ex-180WA3N**D**	Ex-200WA3N**D**
Ambient Operating Temperature	T3: -40°C to +55°C (-40°F to +131°F)		

• Mechanical

Specification	Ex-150WA3N**D**	Ex-180WA3N**D**	Ex-200WA3N**D**
Housing Material	Copper-free aluminum		
Fixture Color	Gray RAL7040 (Standard)		
Lens	Tempered glass & PC		
Hardware	Stainless steel		
Protection	IP66/IP67/IK08 (glass cover)/IK10 (with wire guard)		
Mounting	Ceiling, Wall, Hook, Pole, Arm, Stanchion		
Cable Entries*	Side: 3/4 NPT, M20, M25, 1/2NPT Top: 3/4 NPT, M25		

*Cable Entries: For side and top, 3/4 NPT is standard. If others are required, customer needs to indicate when placing an order.

Technical Parameter

• Electrical

Specification	Ex-250WA4N**D**	Ex-300WA4N**D**	Ex-400WA4N**D**
Rated Power	250W	300W	400W
Input Voltage	100-277VAC		
Input Frequency	50/60Hz		
Power Factor	> 0.95		
Emergency Function	Optional		

• Optical

Specification	Ex-250WA4N**D**	Ex-300WA4N**D**	Ex-400WA4N**D**
Lumen Output	35000lm	42000lm	56000lm
Lumens Per Watt	140lm/W		
CCT	3000K-6500K		
CRI	> 70		
Beam Angle	40°/60°/90°/120°		
Dimming	Both non-dimmable and 0-10V dimming are available		

• Environmental

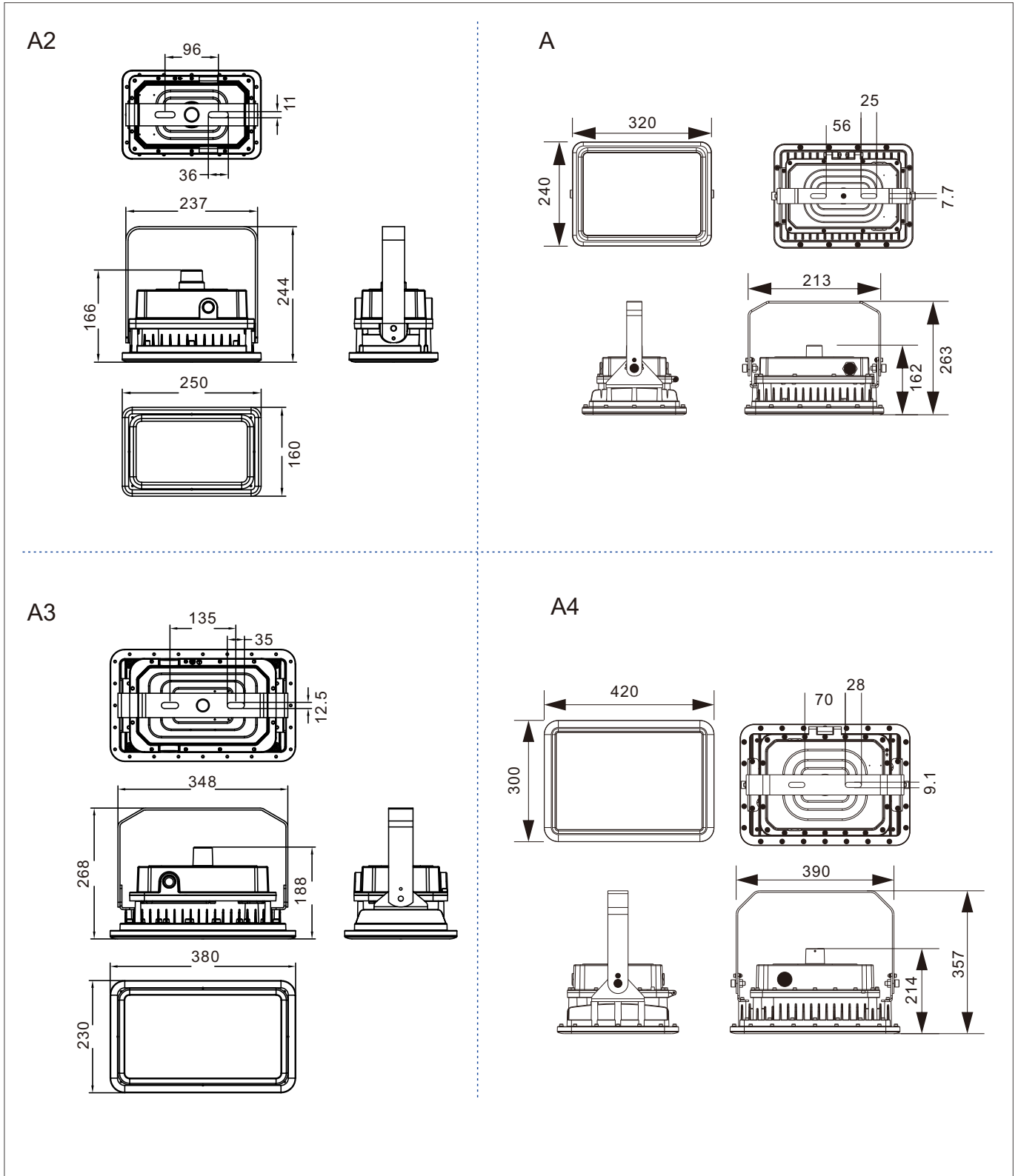
Specification	Ex-250WA4N**D**	Ex-300WA4N**D**	Ex-400WA4N**D**
Ambient Operating Temperature	T3: -40°C to +55°C (-40°F to +131°F)		

• Mechanical

Specification	Ex-250WA4N**D**	Ex-300WA4N**D**	Ex-400WA4N**D**
Housing Material	Copper-free aluminum		
Fixture Color	Gray RAL7040 (Standard)		
Lens	Tempered glass & PC		
Hardware	Stainless steel		
Protection	IP66/IP67/IK08 (glass cover)/IK10 (with wire guard)		
Mounting	Ceiling, Wall, Hook, Pole, Arm, Stanchion		
Cable Entries*	Side: 3/4 NPT, M20, M25, 1/2NPT Top: 3/4 NPT, M25		

*Cable Entries: For side and top, 3/4 NPT is standard. If others are required, customer needs to indicate when placing an order.

Product Dimensions (all in millimeters)



• Packing Information

Model	Net Weight*	Gross Weight*	Quantity/Carton	Package Dimensions (LxWxH)
Ex-**WA2N**D**	4.15kg	5.30kg	1 pc	365x270x305mm
Ex-**WAN**D**	6.95kg	7.90kg	1 pc	375x340x215mm
Ex-**WA3N**D**	8.30kg	10.30kg	1 pc	485x340x365mm
Ex-**WA4N**D**	15.1kg	17.00kg	1 pc	490x460x291mm

*Please note that net weight and gross weight may be subject to change because of actual configuration.

Ordering Guide

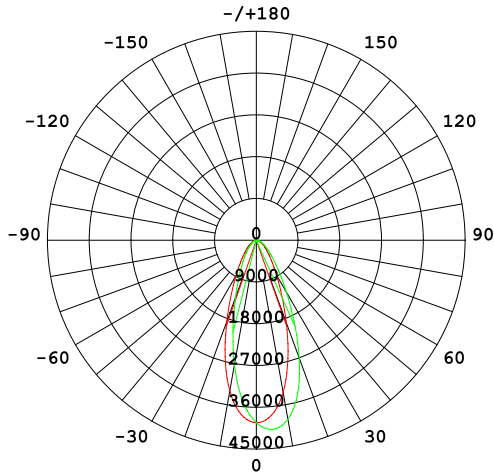
Ex - * * W * * N * * D * *

1 2 3 4

1. Wattage (W)	2. Product Code	3. Color Temperature	4. Beam Angle (Degree)
A2: 20W/40/60W A: 80/100W A3: 150/180/200W A4: 250/300/400W	Can be: A A2 A3 A4	Can be 30 to 65, means 3000K to 6500K	Can be: 40 60 90 120

Photometric

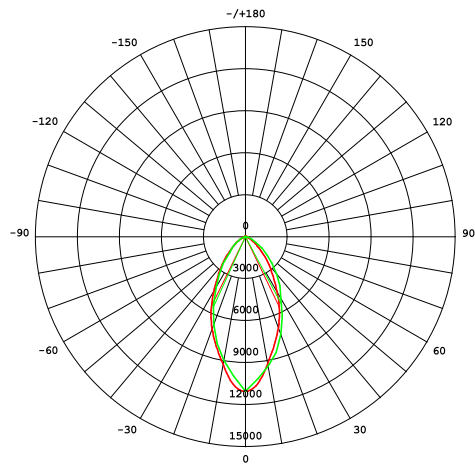
40 Degree



AVERAGE BEAM ANGLE(50%):38.6 DEG

UNIT:cd
 - C0/180,38.7°
 - C90/270,38.5°

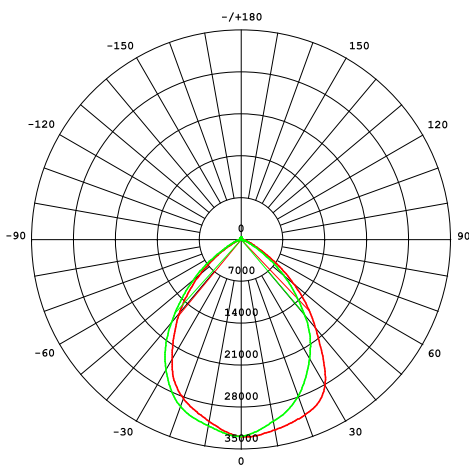
60 Degree



AVERAGE BEAM ANGLE(50%):52.5 DEG

UNIT:cd
 - V 0.0DEG PLAN,52.3
 - H 0.0DEG PLAN,52.7

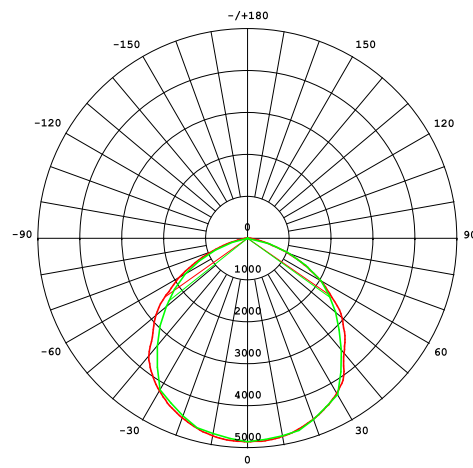
90 Degree



AVERAGE BEAM ANGLE(50%):82.8 DEG

UNIT:cd
 - V 0.0DEG PLAN,83.2
 - H 0.0DEG PLAN,82.4

120 Degree

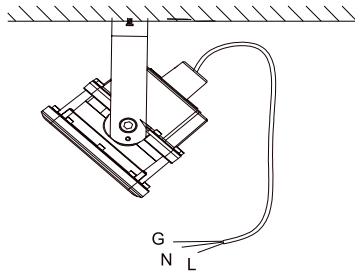


AVERAGE BEAM ANGLE(50%):107.8 DEG

UNIT:cd
 - V 0.0DEG PLAN,109.9
 - H 0.0DEG PLAN,105.8

Mounting Methods and Accessories

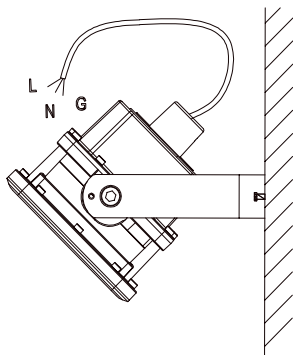
- Option 1: Ceiling Mounting



- Accessory



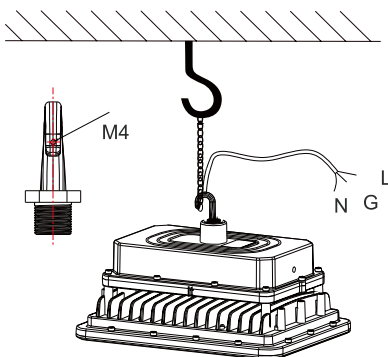
- Option 2: Wall Mounting



- Accessory



- Option 3: Hook Mounting

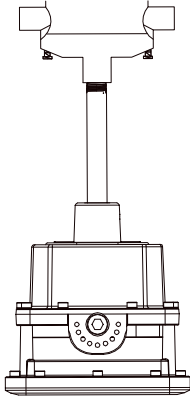


- Accessories



Mounting Methods and Accessories

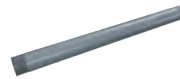
• Option 4: Pole Mounting (Vertical)



• Accessories

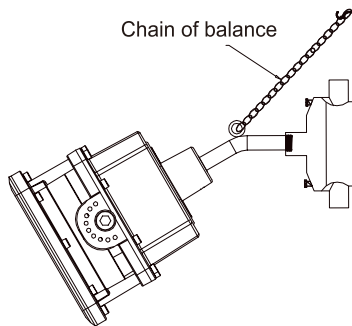


Junction Box
EX-HD51-KB1



Pole
Ex-Straight Pipe

• Option 5: Pole Mounting (Non-vertical)



• Accessories



Junction Box
EX-HD51-KB1

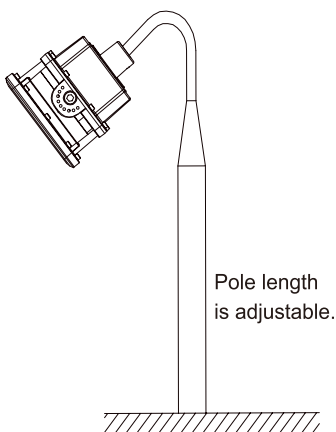


Pole
Ex-Bended Pipe



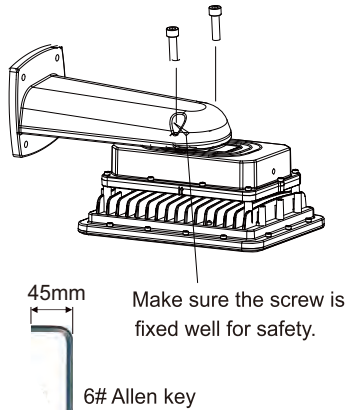
Pendant Chain
Ex-Straight Chain

• Option 6: Pole Mounting



Mounting Methods and Accessories

• Option 7: Stanchion Mounting on the Wall

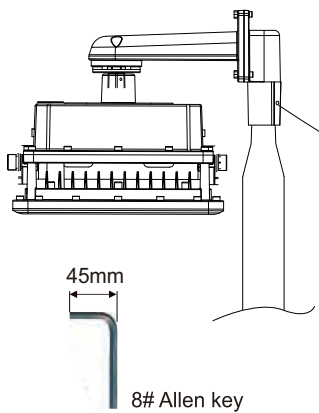


• Accessory



Stanchion Arm
Ex-MArm

• Option 8: Stanchion Mounting on the Pole (90 Degree)



• Accessories

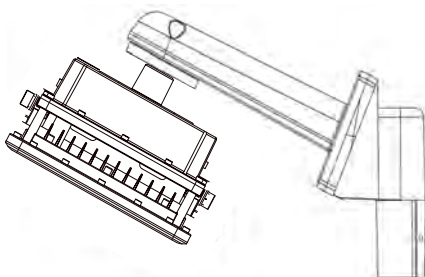


Stanchion Arm
Ex-MArm



Pole Support
Ex-90P Support

• Option 9: Stanchion Mounting on the Pole (25 Degree)



• Accessories



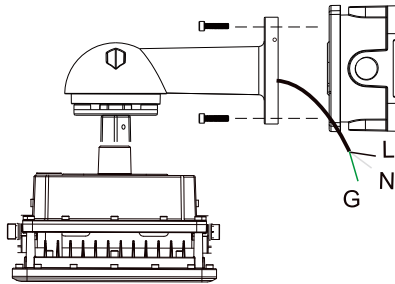
Stanchion Arm
Ex-MArm



Pole Support
Ex-25P Support

Mounting Methods and Accessories

- Option 10: Wall Mounting with Junction Box (90 Degree)

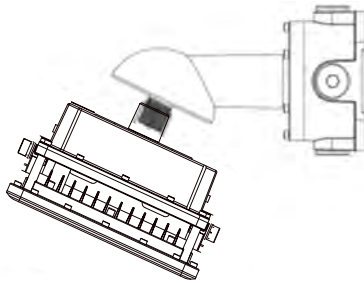


- Accessory



Stanchion Arm
EX-HD51-KYD 90

- Option 11: Wall Mounting with Junction Box (25 Degree)



- Accessory



Stanchion Arm
EX-HD51-KYD 25